



CATALOGUE



Head Office

Soğanlık Yeni Mah, Pamukkale Sk. No:2
Kartal/İstanbul/Türkiye
P : +90 (216) 591 08 49
F : +90 (216) 591 08 45
info@avsglobalsupply.com

Branch Office

Güzelyalı Mah.Sahil Bulvarı, Yakut Sok.No:3/1
Pendik/İstanbul/Türkiye
P : +90 (216) 591 08 49
F : +90 (216) 591 08 45

Greece Office

37, Anagyrountos Ave. Vari 16672
Athens, Greece
P : +30 211 016 80 80
info@avsgreece.gr
www.avsgreece.gr

AVS Greece Global Supply and Catering Ltd.



ABOUT US

We can provide global **Ship Supply** and **Catering Services** through our network of suppliers in more than 1500 ports and more than 126 countries all over the globe. Throughout the years we have created exceptional relations with our suppliers **all over the world**, due to volume and frequency of orders, and for that reason we are in position to guarantee the quality of goods delivered on board for the best possible price. Our team is available on **24/7** basis in order to resolve any matters that may come up before, after or during any delivery on board.

www.avsglobalsupply.com



Index

Rubber Packing

| | |
|---|-----|
| Solid Rubber Packings | 4. |
| Solid Rubber Packings | 5. |
| Solid Rubber Packings | 6. |
| Sponge Rubber Packings Watertight | 7. |
| Filling Strips for Rubber Packings | 8. |
| F Packings Replacing Sponge Rubber Products | 9. |
| Sponge Rubber Packings for Doors, Windows etc | 10. |
| Solid Rubber/ PVC Profiles for Technical Use | 11. |
| Corner - End Packings | 12. |
| Corner - End Packings | 13. |
| Rubber Selection | 14. |
| Corner - End Packings | 13. |

Bearings

| | |
|----------------------------|-----|
| Bearings and Sealings..... | 15. |
|----------------------------|-----|

Bearing Pads

| | |
|-------------------------------------|-----|
| Composite Bearing Pads | 16. |
| Steel and Bronze Bearing Pads | 17. |

Wedges

| | |
|--|-----|
| Cross Joint Wedge Assembly 12.00 | 18. |
| Cross Joint Wedge Assembly 12.02 | 19. |

Cleats

| | |
|--|-----|
| Quick Acting Cleat Assembly 13.00, 315mm Rod Length, M22 | 20. |
| Quick Acting Cleat Assembly 13.01, 405mm Rod Length, M22 | 20. |
| Heavy Duty Quick Acting Cleat Assembly 13.03 , 440mm Rod Length, M33 | 20. |
| Quick Acting Cleat Assembly 13.02 , 180mm Rod Length, M22 | 21. |
| Heavy Duty Quick Acting Cleat Assembly 13.04 , 285mm Rod Length, M33 | 21. |
| Snap Lock Cleat Assembly | 22. |
| Quick Acting Cleat Assembly, Hook Type | 23. |
| Quick Acting Cleat Assembly, T Bolt..... | 24. |
| Quick Acting Cleat Assembly, Flag Type | 25. |
| Quick Acting Cleat Assembly, Convex Type | 26. |
| Battening Bolt Assembly | 27. |
| Top Cleat Assemblies..... | 28. |
| T Bolt Cleats & Eye - Bolt Cleats | 29. |

Index

Levers

Operating Levers for Cleats 30.

Washers

Steel Washer & Rubber Washer selection 31.

Single Pull Hatch Cover Parts

Eccentric Wheel Assembly 20.00, 200mm Dia 32.
 Eccentric Wheel Assembly 20.02, 260mm Dia 32.
 Balancing Roller 22.04 / 22.09, Double Link, 2.5 - 4 Tons / > 4 tons 32.
 Balancing Roller 22.05 / 22.10, Single Link, 2.5 - 4 Tons / > 4 tons..... 32.
 Long Shackle Assembly for Covers 40.05, 2.5 - 4 Tons Weight 32
 Long Shackle Assembly for Covers 40.06, 2.5 - 4 Tons Weight 32.
 Long Shackle Assembly for Cover 40.07, > 4 Tons 32.
 Long Shackle Assembly for Cover 40.08, > 4 Tons..... 32.
 Balancing Roller 22.09 Double Link > 4 Tons 32.
 Balancing Roller 22.10, Single Link, > 4 Tons 32.

Hydraulics

Hydraulic Hoses 33.
 Hydraulic Components and Motors..... 34.
 Hydraulic Cylinders and Pipes..... 35.

Cylinders

Marine Hydraulic Cylinders 36.

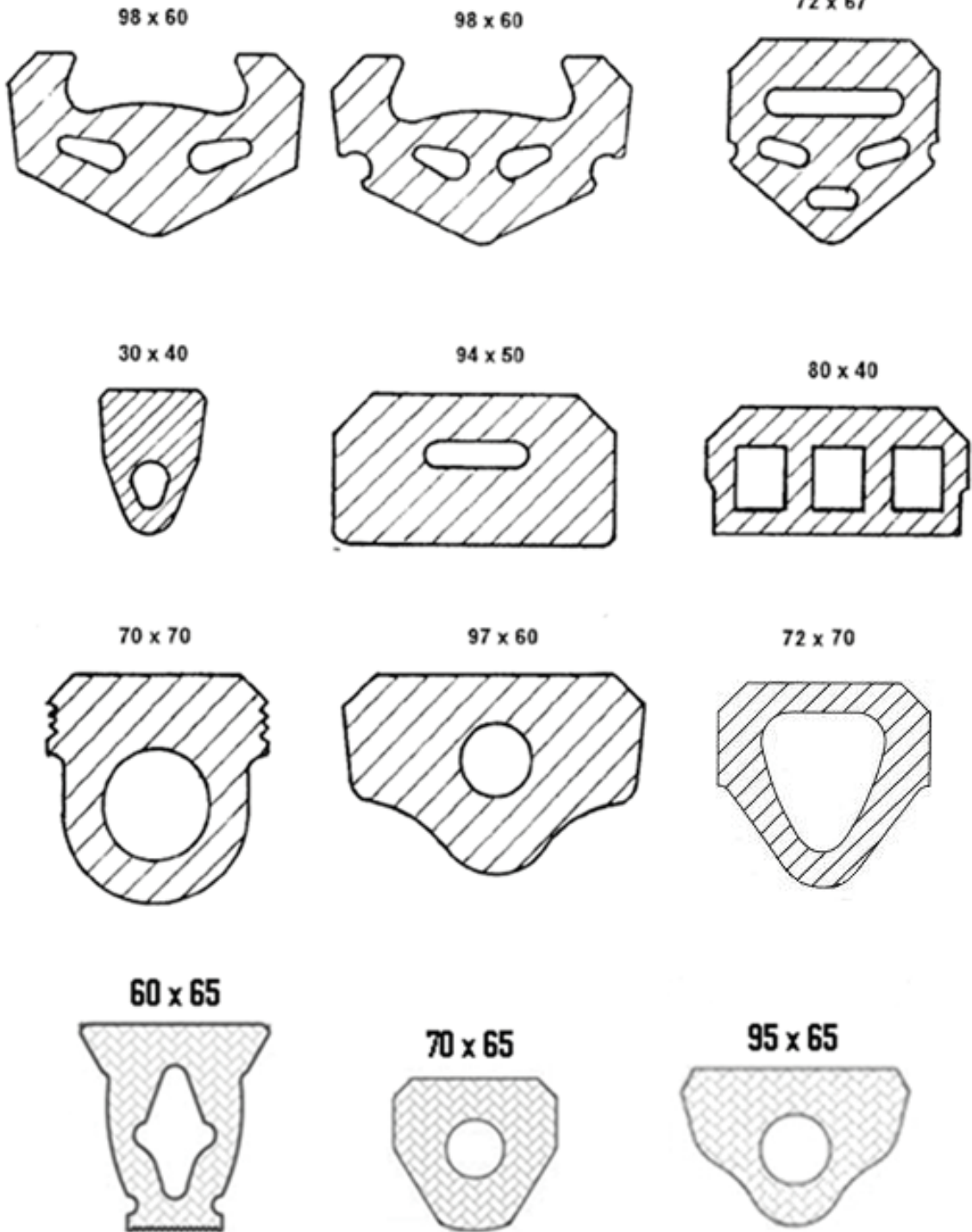
Miscellaneous

Drain Valves..... 37.
 Problems with Vacu/ Pneumatic Seals 38.
 Hatch Cover Driving/ Towing Chains, Connectors and Chain Wheels..... 39.
 Wire Ropes & Accessories 40.
 Bolts, Handles and Nuts 41.
 Manhole Seals 41.

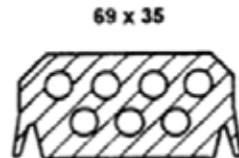
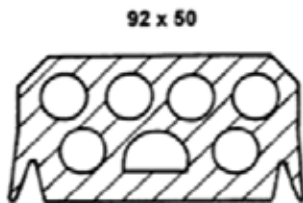
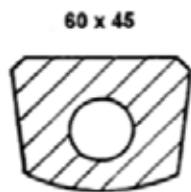
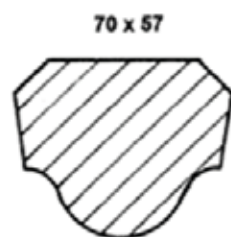
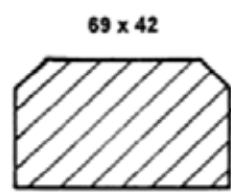
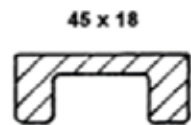
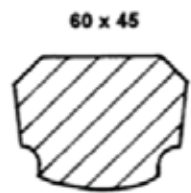
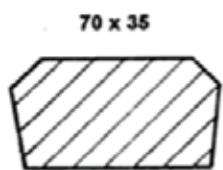
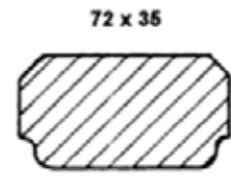
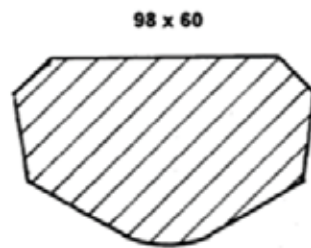
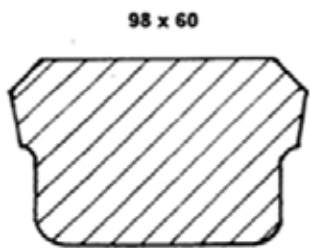
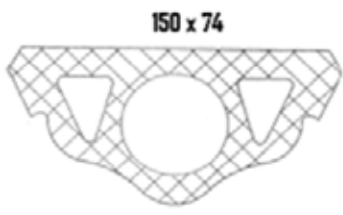
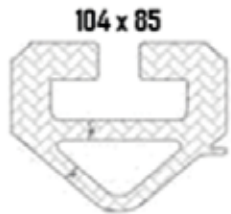
Glues and Adhesives

Glues 42.
 Teflon Packing 43.

RUBBER PROFILES / SOLID PROFILES



RUBBER PROFILES / SOLID PROFILES



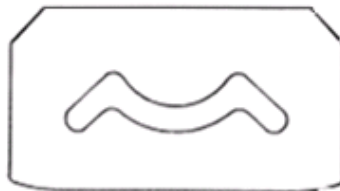
RUBBER PROFILES / SOLID PROFILES



67 x 42 mm



72 x 67 mm



94 x 50 mm



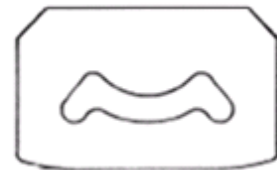
71 x 32 mm



72 x 72 mm



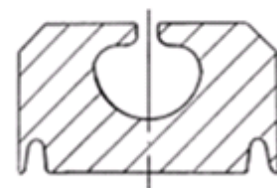
70 x 42 mm



70 x 42 mm



80 x 70 mm



67 x 42 mm



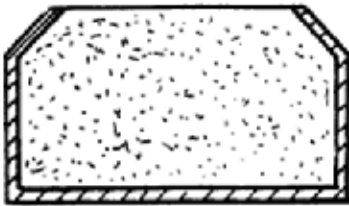
125 x 50 mm



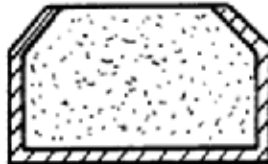
175 x 50 mm

RUBBER PROFILES / WATERTIGHT SPONGE RUBBERS

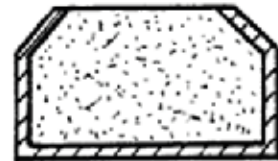
94 x 50



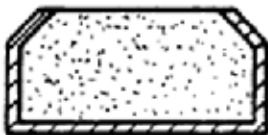
71 x 40



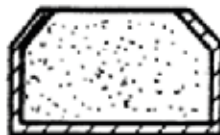
67 x 42



71 x 32



57 x 32

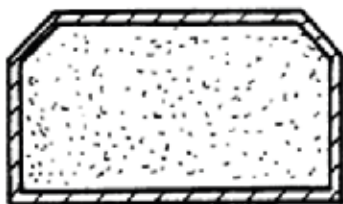


Other available sizes

| | |
|---------|----------|
| 38 x 32 | 72 x 40 |
| 40 x 30 | 77 x 32 |
| 65 x 35 | 84 x 45 |
| 68 x 40 | 120 x 50 |
| 70 x 42 | 120 x 60 |
| 71 x 45 | 160 x 50 |

Oiltight Sponge Rubber Packings

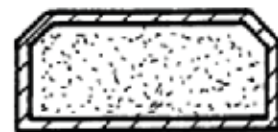
94 x 50



71 x 40

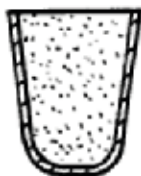


71 x 32



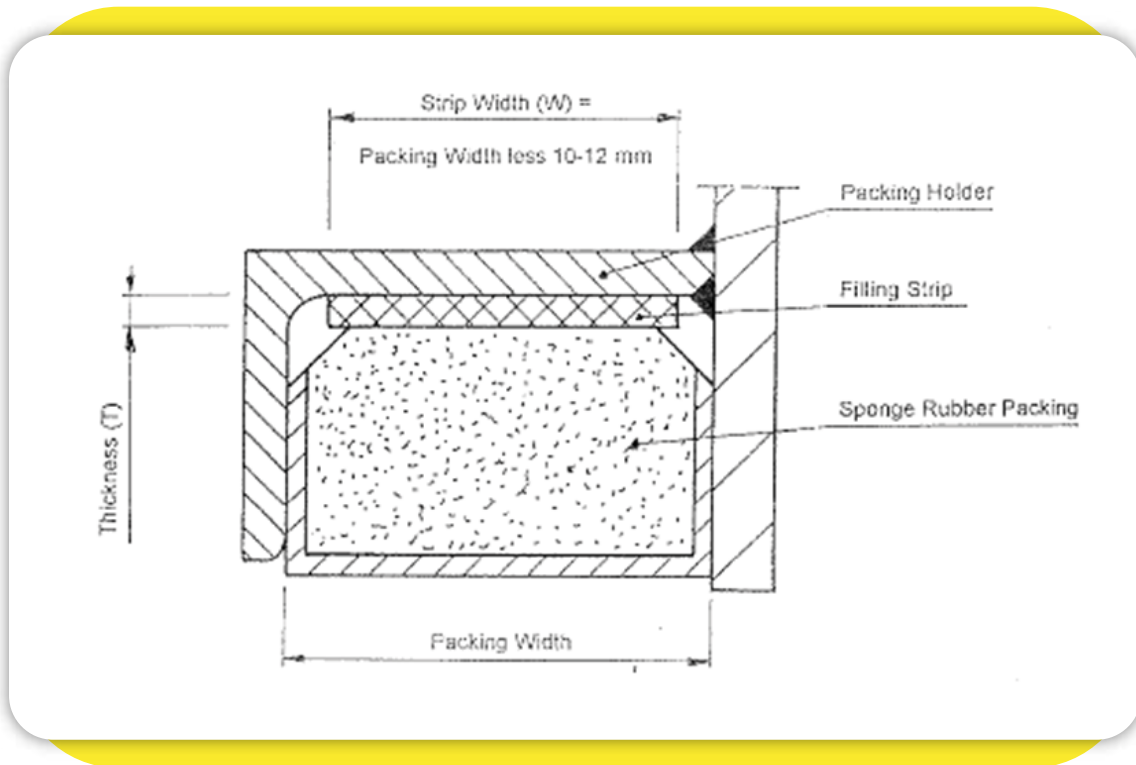
Sponge Rubber Packings for Reefers

30 x 40



FILLING STRIPS FOR RUBBER PACKINGS

Following standard thickness are available: 3mm, 5mm, 6mm, 8mm and 10mm.
 The width of the strip is "Packing Width" minus 10 - 12mm according to the sketch below.



When ordering please clarify the Width (W), Thickness (T) and Quantity needed or type/ size of the rubber packing and preferably where it is to be used.

F PACKINGS

AVS GLOBAL SUPPLY System is pleased to announce the next generation of AVS solid rubber hatch cover gaskets replacing the sponge rubber products.



EPDM Solid Rubber With "TCT" Coating

The new gasket is made of EPDM solid rubber and due to its profile shape the compression set remains smaller, maintaining the original tightness. The lips in the edges and the compression bar force the sides of the gasket against the sides of the retaining channel, preventing the penetration of water between the channel and gasket, and thereby preventing rusting.

Benefits of the new product for the ship owner:

- long life time due to high quality EPDM rubber
- cost efficient in use
- TCT low friction coating on compression surface
- small permanent set even after long period of use
- no risk of water being absorbed, so the new gasket will not freeze
- wide operation temperature range -40 ...+60 °C
- manufactured in continuous process
- delivery in lengths of 50 m or acc. to agreement

Available in standard dimensions:

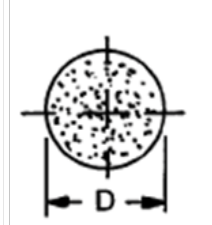
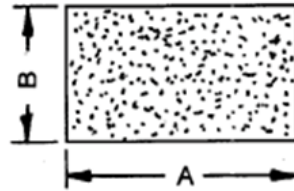
- 67x42 mm
- 70x42 mm
- 71x32 mm
- 71x40 mm
- 94x50 mm

Any other size can be made upon request.

SPONGE RUBBER PACKINGS FOR DOORS, WINDOWS ETC.

Sponge Rubber Packings

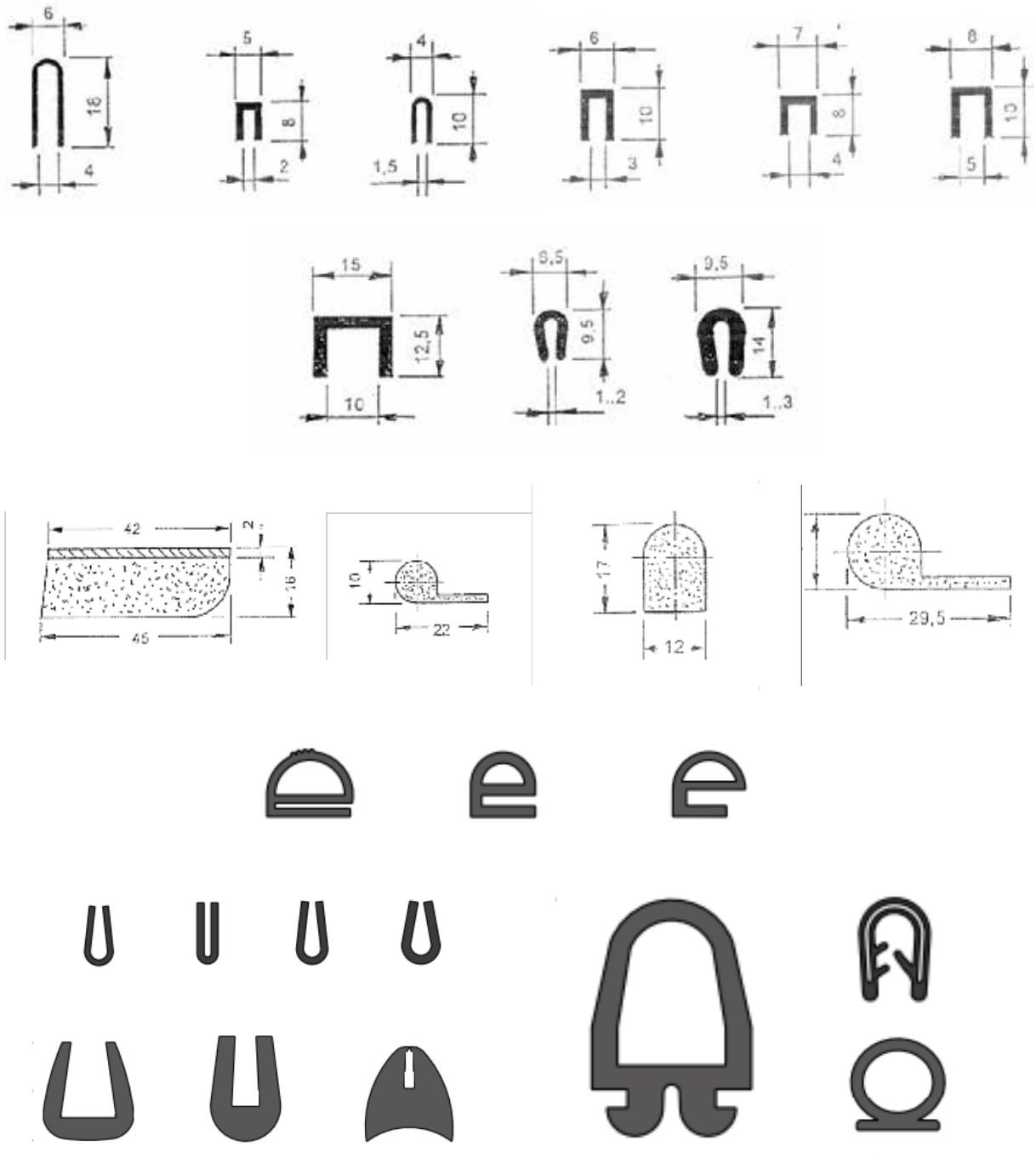
| Size (mm x mm) | Roll Length (m) | Size (mm x mm) | Roll Length (m) | Size (mm x mm) | Roll Length (m) |
|----------------|-----------------|----------------|-----------------|----------------|-----------------|
| 2 x 10 | 100 | 8 x 30 | 50 | 35 x 35 | 15 |
| 2 x 15 | 100 | 10 x 10 | 50 | 35 x 40 | 10 |
| 2 x 20 | 100 | 10 x 12 | 50 | 35 x 50 | 10 |
| 2 x 25 | 50 | 10 x 15 | 50 | 40 x 40 | 10 |
| 3 x 10 | 100 | 10 x 20 | 50 | 40 x 50 | 10 |
| 3 x 12 | 100 | 10 x 25 | 50 | 50 x 50 | 10 |
| 3 x 15 | 100 | 10 x 30 | 25 | | |
| 3 x 20 | 100 | 10 x 35 | 25 | | |
| 3 x 25 | 25 | 10 x 40 | 25 | | |
| 3 x 30 | 50 | 10 x 45 | 25 | | |
| 3 x 40 | 50 | 10 x 50 | 25 | | |
| 3 x 50 | 50 | 10 x 60 | 25 | | |
| 4 x 10 | 100 | 12 x 12 | 50 | | |
| 4 x 12 | 100 | 12 x 15 | 50 | | |
| 4 x 15 | 100 | 12 x 20 | 50 | | |
| 4 x 20 | 100 | 12 x 25 | 50 | | |
| 4 x 25 | 50 | 12 x 30 | 25 | | |
| 4 x 30 | 50 | 12 x 35 | 25 | | |
| 4 x 40 | 50 | 12 x 40 | 25 | | |
| 4 x 50 | 50 | 12 x 50 | 25 | | |
| 5 x 8 | 100 | 15 x 15 | 50 | | |
| 5 x 10 | 100 | 15 x 20 | 25 | | |
| 5 x 15 | 50 | 15 x 25 | 25 | | |
| 5 x 20 | 50 | 15 x 30 | 25 | | |
| 5 x 25 | 50 | 15 x 35 | 25 | | |
| 5 x 30 | 50 | 15 x 40 | 25 | | |
| 5 x 40 | 50 | 15 x 45 | 25 | | |
| 5 x 50 | 25 | 15 x 50 | 25 | | |
| 5 x 60 | 25 | 20 x 20 | 25 | | |
| 6 x 10 | 100 | 20 x 25 | 25 | | |
| 6 x 12 | 100 | 20 x 30 | 25 | | |
| 6 x 15 | 100 | 20 x 35 | 25 | | |
| 6 x 20 | 50 | 20 x 40 | 25 | | |
| 6 x 25 | 50 | 20 x 45 | 25 | | |
| 6 x 30 | 50 | 20 x 50 | 25 | | |
| 6 x 40 | 25 | 25 x 25 | 25 | | |
| 6 x 50 | 25 | 25 x 30 | 25 | | |
| 7 x 10 | 100 | 25 x 35 | 25 | | |
| 8 x 8 | 100 | 25 x 40 | 25 | | |
| 8 x 10 | 100 | 25 x 45 | 15 | | |
| 8 x 12 | 50 | 25 x 50 | 15 | | |
| 8 x 18 | 50 | 30 x 30 | 20 | | |
| 8 x 20 | 50 | 30 x 35 | 15 | | |
| 8 x 25 | 50 | 30 x 40 | 15 | | |
| 8 x 30 | 50 | 30 x 45 | 15 | | |
| 8 x 40 | 50 | 30 x 50 | 15 | | |



| Diameter, D (mm) | Roll Length (m) |
|------------------|-----------------|
| 2 | 200 |
| 2,5 | 200 |
| 3 | 200 |
| 4 | 200 |
| 5 | 200 |
| 6 | 200 |
| 7 | 200 |
| 8 | 200 |
| 9 | 200 |
| 10 | 100 |
| 12 | 100 |
| 14 | 50 |
| 15 | 50 |
| 18 | 25 |
| 20 | 25 |
| 22 | 25 |
| 25 | 25 |
| 30 | 20 |
| 35 | 20 |
| 40 | 20 |
| 45 | 10 |
| 50 | 10 |
| 60 | 10 |

SOLID RUBBER - PVC - MISCELLANEOUS PROFILES

- We can provide a wide range of different profiles and materials
- We can also manufacture profiles by request

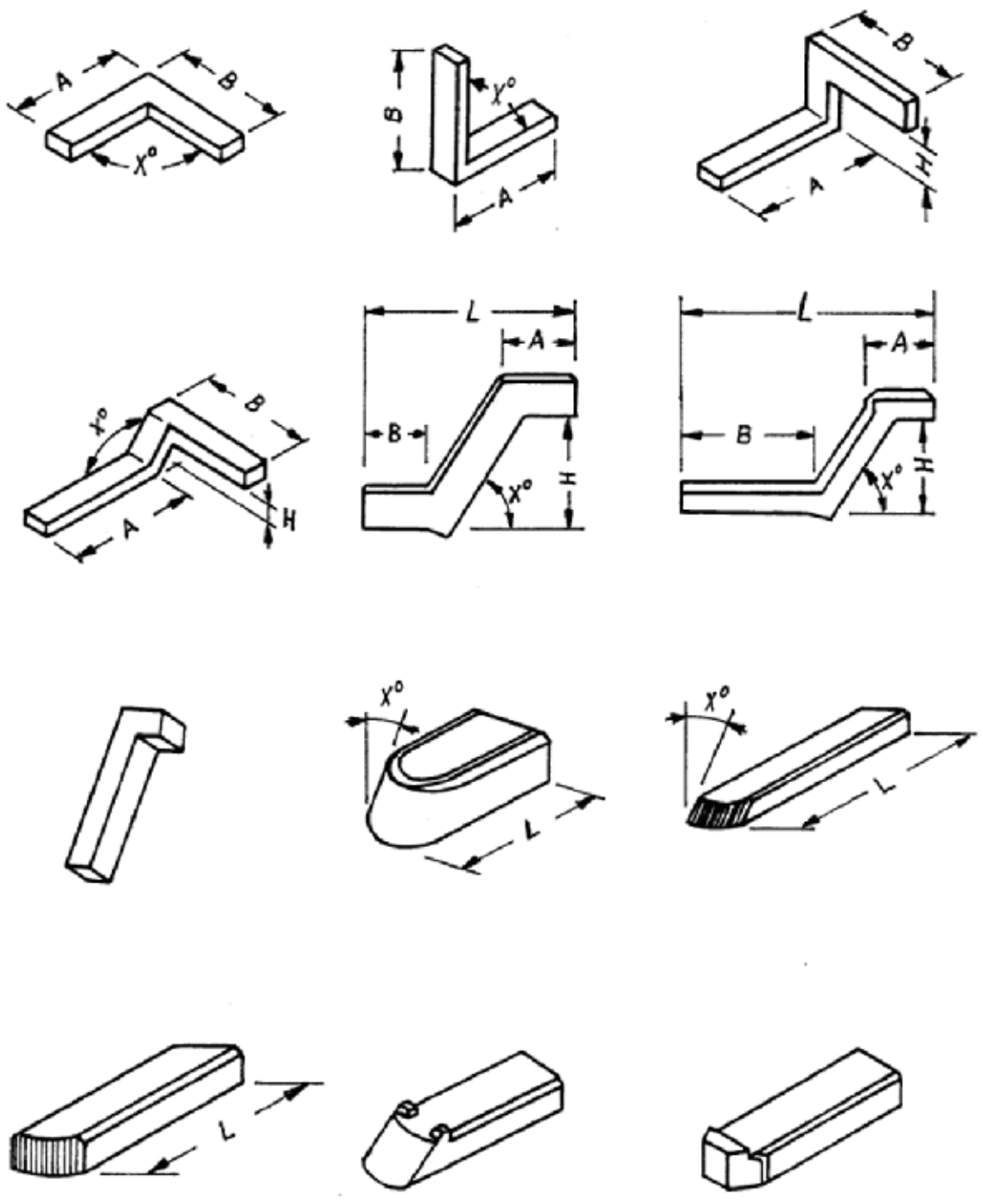


CORNER - END PACKINGS

- *Our standard Corners- and End Packings are manufactured in a mould*
- *All sorts of Special corners can be manufactured when all the necessary dimensions and details have been provided*

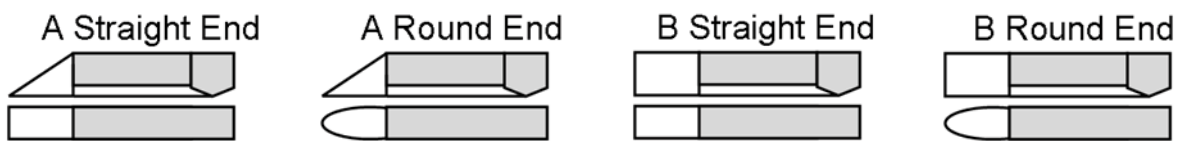


CORNER - END PACKINGS

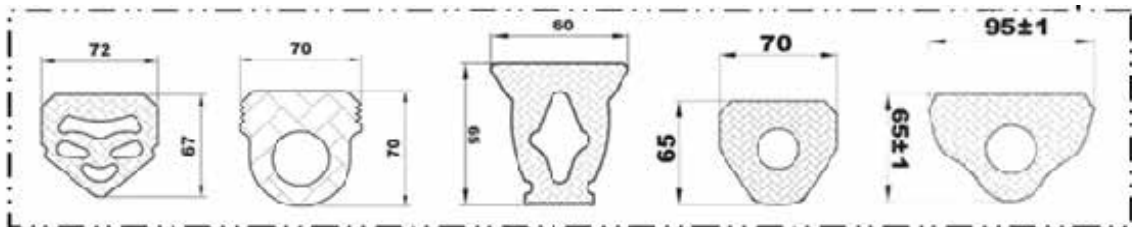


RUBBER SELECTION

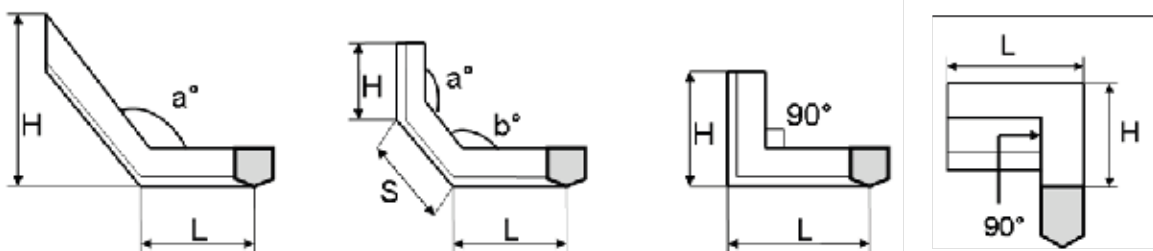
1. Rubber End Pieces



2. Profile Type



3. Corner Measures



BEARINGS AND SEALINGS

We offer many types of standardized Bearings assemblies.

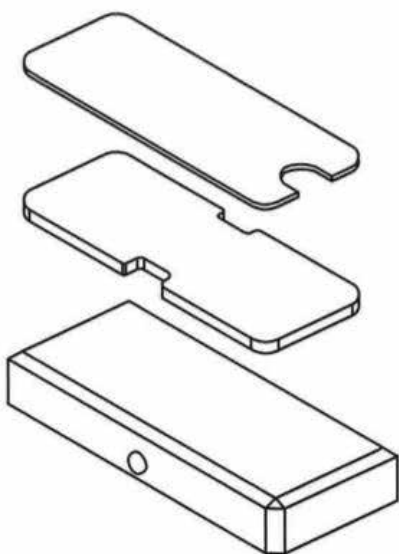


- Ball Bearings
- Roller Bearings
- Tapered Roller Bearings
- Needle Bearings
- Spherical Bearing
- Slide Bearings
- Pivot Bearings
- And many others....



BEARING PADS, COMPOSITE

- New types of bearing pads are completely made of composite material
- Main material is polymer, reinforced with textile layers
- Longer service life than regular Polymer pad
- The material is highly durable, light, and as functional as traditional hard materials. Also the textile reinforced pads are very well suited to different weather conditions
- Main materials which we offer, can be seen in the category table below; are PMB (over 2500 TEU) and PMD (below 2500 TEU)

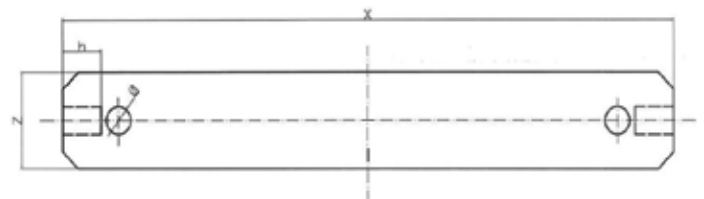
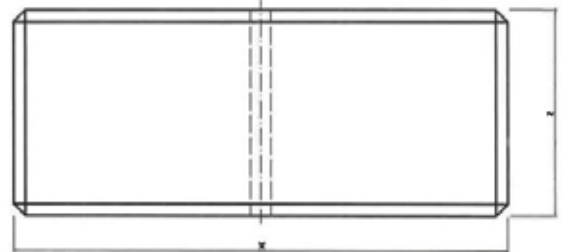
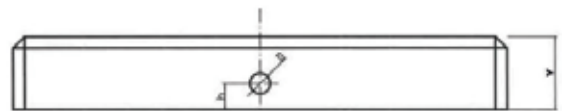
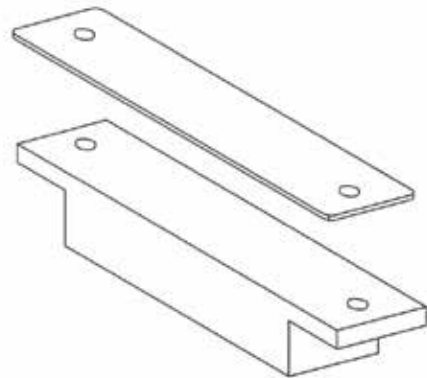


| Type | PMA | PMB | PMC | PMD | PME |
|----------------------------|-------------------------------------|-------------------------------------|-------------------------------------|-------------------------------------|-----------------------------------|
| Structure | Textile-reinforced Polymer Material | Textile-reinforced Polymer Material | Textile-reinforced Polymer Material | Textile-reinforced Polymer Material | Fiber-reinforced Polymer Material |
| Feature | PTFE for Low Friction | Low Friction | Low Friction | Low Friction | Low Friction |
| Max. Allowable Load / MPa | 35 | 25 | 30 | 25 | 25 |
| Compressive Strength / MPa | 290 | 220 | 270 | 220 | 130 |
| Max. Allowable P.V. | 900 | 800 | 800 | 600 | 600 |
| Friction Coefficient | 0.05-0.07 | 0.13-0.14 | 0.13-0.14 | 0.13-0.14 | 0.13-0.14 |

* GL, No.KBZ 1218 HH. and ISO9001, No.CN-00212Q17475ROS

BEARINGS PADS, STEEL AND BRONZE

- We offer Bearing Pads which are made of Steel or Bronze
- Alternative dimensions can be applied



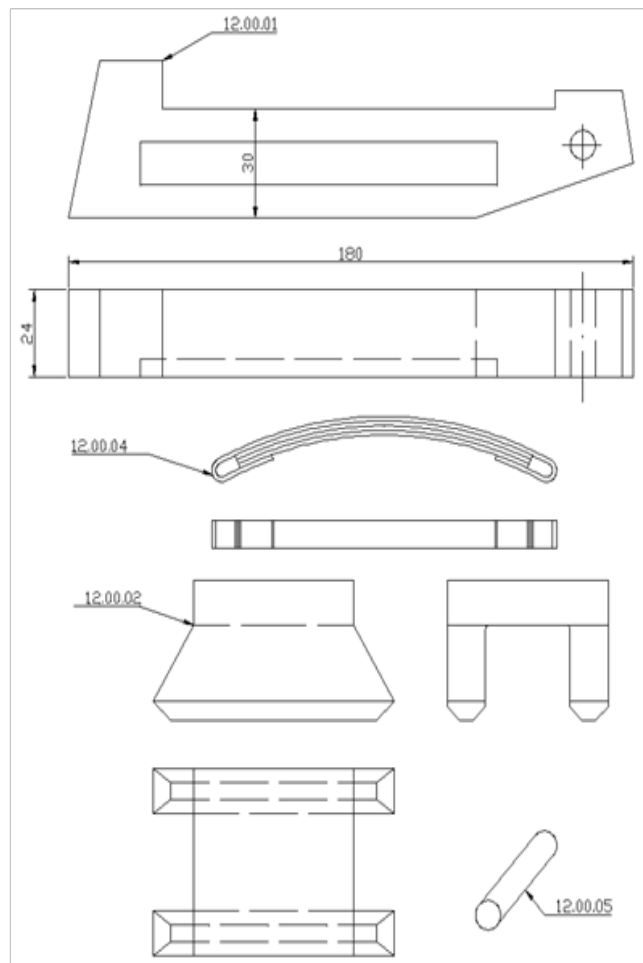
Assembly includes the Bearing Pad, Shim plate, Balance rubber, and locking Pin.

12.00 CROSS JOINT WEDGE ASSEMBLY



Assembly includes;

- 12.00.01 Wedge
- 12.00.02 Saddle
- 12.00.04 Leaf Spring
- 12.00.05 Taper Pin

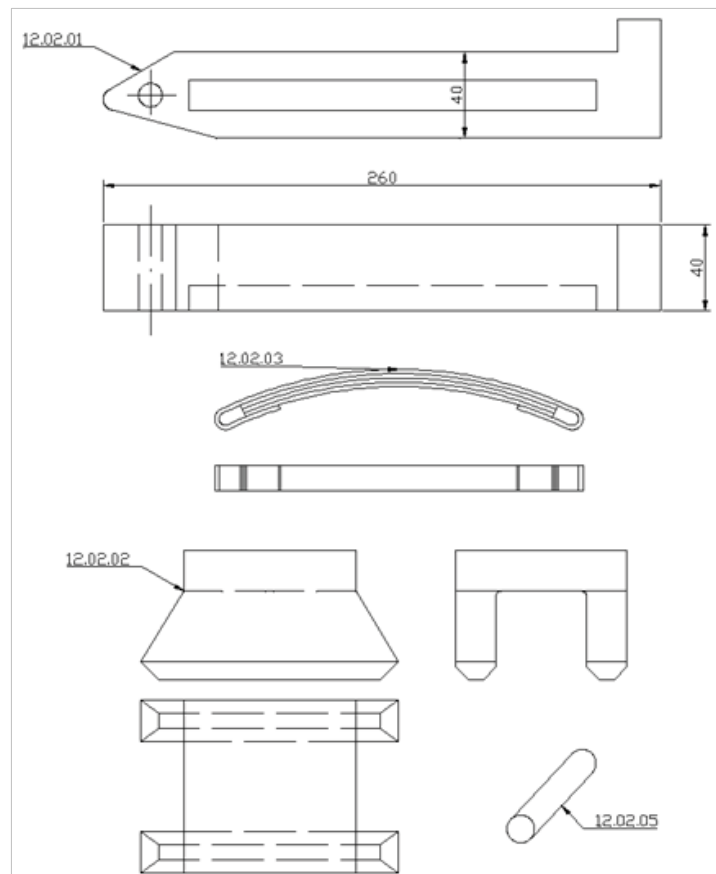


12.02 CROSS JOINT WEDGE ASSEMBLY



Assembly includes;

- 12.02.01 Wedge
- 12.02.02 Saddle
- 12.02.03 Leaf Spring
- 12.02.05 Taper Pin

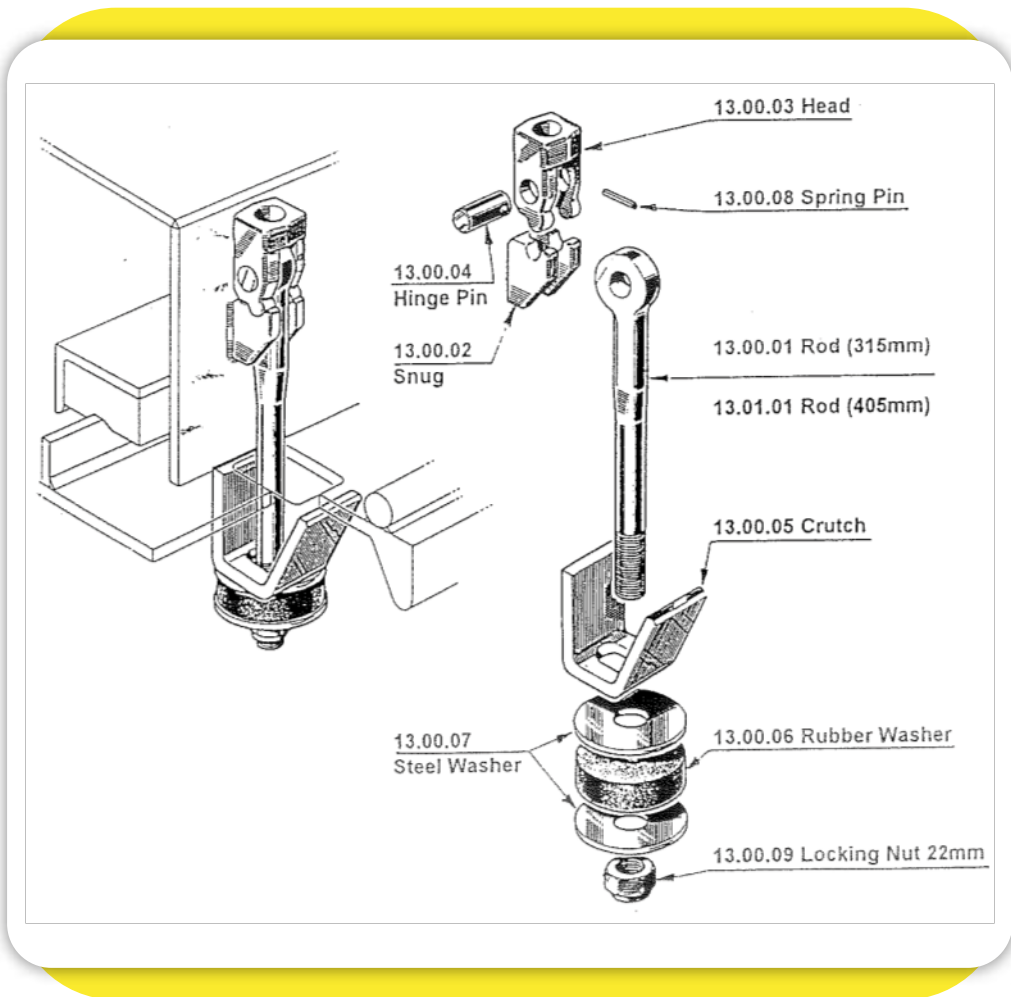


QUICK ACTING CLEAT ASSEMBLY 13.00 / 13.01 / 13.03

13.00 Quick Acting Cleat Assembly, **315mm** Rod Length, **M22**

13.01 Quick Acting Cleat Assembly, **405mm** Rod Length, **M22**

13.03 Heavy Duty Quick Acting Cleat Assembly, **440mm** Rod Length, **M33**

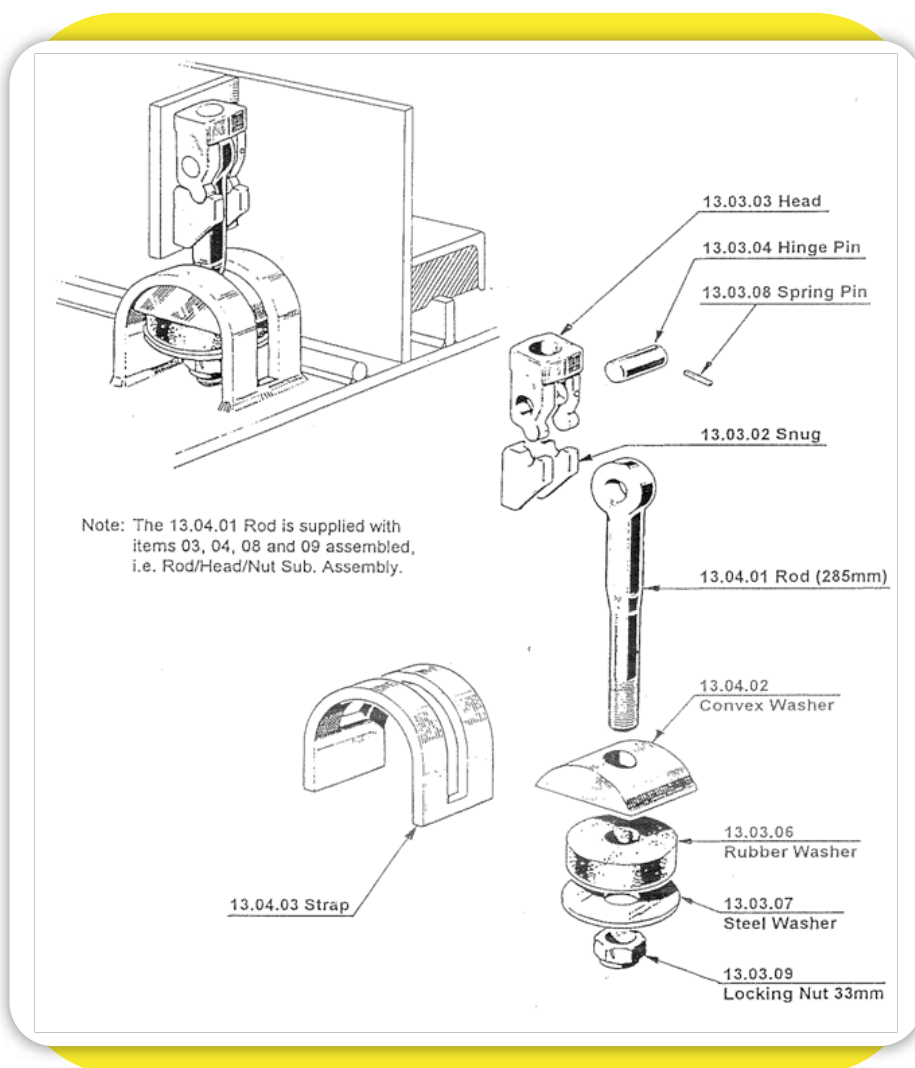


The 13.00, 13.01, and 13.03 consists of Rod, Head (03), Hinge Pin (04), Spring Pin (08) and Nut (09) pre-Assembled.

QUICK ACTING CLEAT ASSEMBLY 13.02 / 13.04

13.02 Quick Acting Cleat Assembly, **180mm** Rod Length, **M22**

13.04 Heavy Duty Quick Acting Cleat Assembly, **285mm** Rod Length, **M33**



The 13.02 & 13.04 consists of Rod, Head (03), Hinge Pin (04), Spring Pin (08) and Nut (09) pre - Assembled.

SNAP LOCK CLEAT ASSEMBLY

Assembly includes:

1. Cleating Bolt (L, D and Thread)
2. Washer Top
3. Washer Bottom
4. CAM Lock
5. Elastic Washer
6. Hex Nut

- Main possible Diameters (\emptyset): M22 , M30 , M36

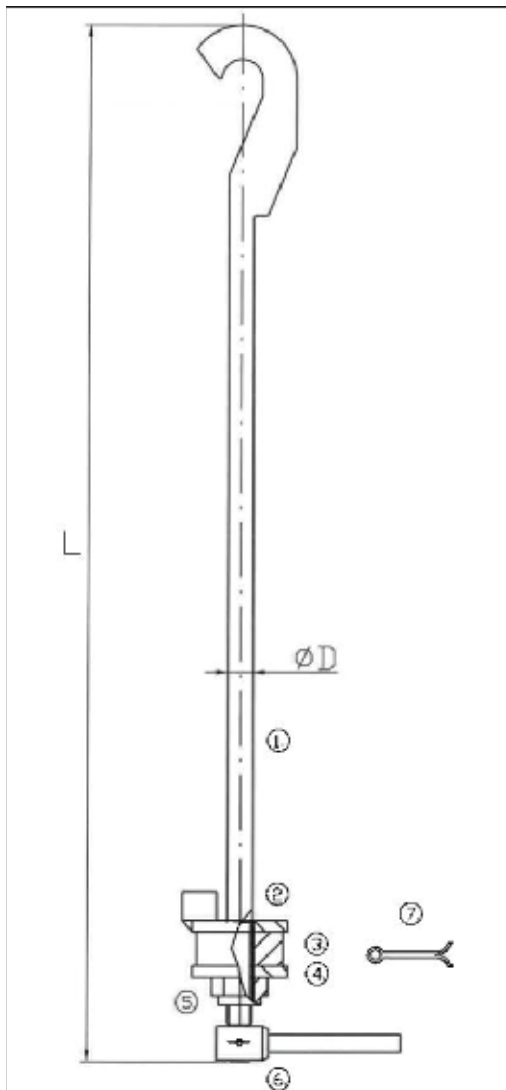


QUICK ACTING CLEAT ASSEMBLY, HOOK TYPE

Assembly includes:

1. Cleating Bolt (L, D and Thread)
2. Half - round Washer
3. Rubber Washer
4. Steel Washer
5. Hex Nut
6. Handle
7. Locking Pin

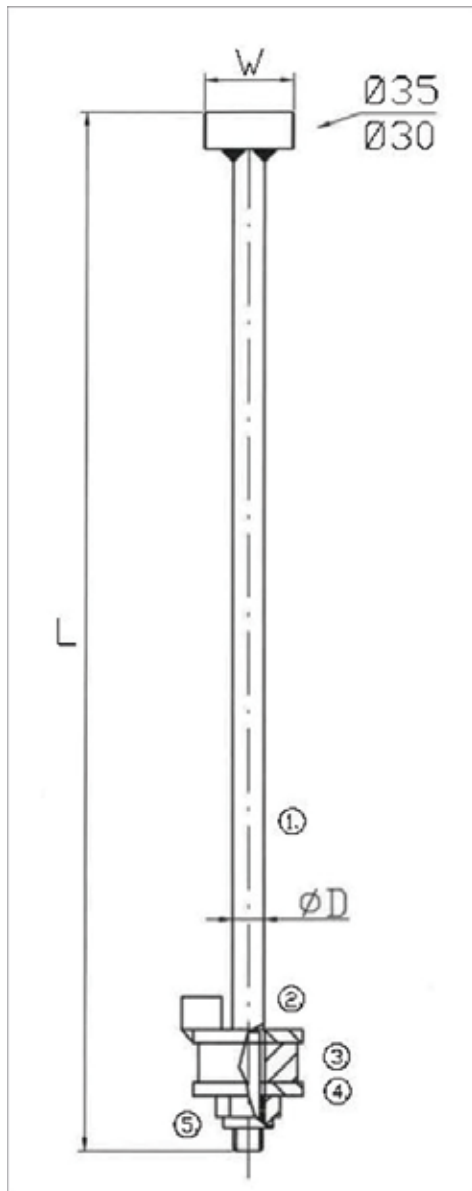
- Main possible Diameters (\emptyset): M22 , M33



QUICK ACTING CLEAT ASSEMBLY, T BOLT

Assembly includes:

- 1. Cleating Bolt (L, D and Thread)
- 2. Round Washer
- 3. Rubber Washer
- 4. Steel Washer
- 5. Hex Nut

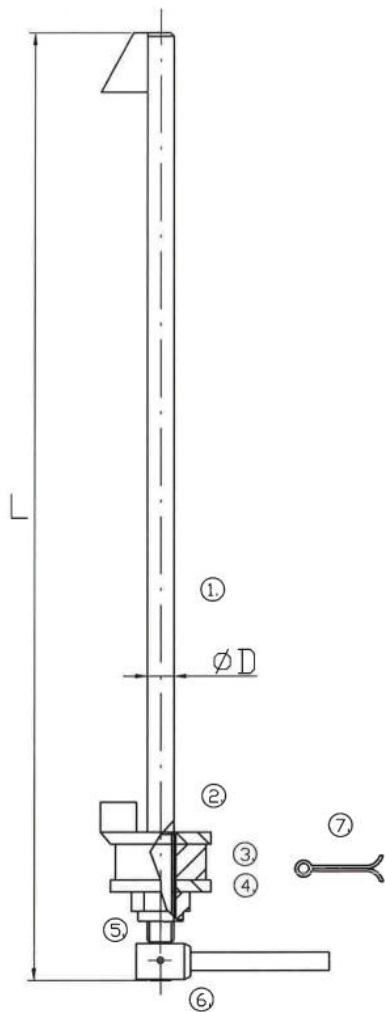


QUICK ACTING CLEAT ASSEMBLY, FLAG TYPE

Assembly includes:

1. Cleating Bolt (L, D and Thread)
2. Half - round Washer
3. Rubber Washer
4. Steel Washer
5. Hex Nut
6. Handle
7. Locking Pin

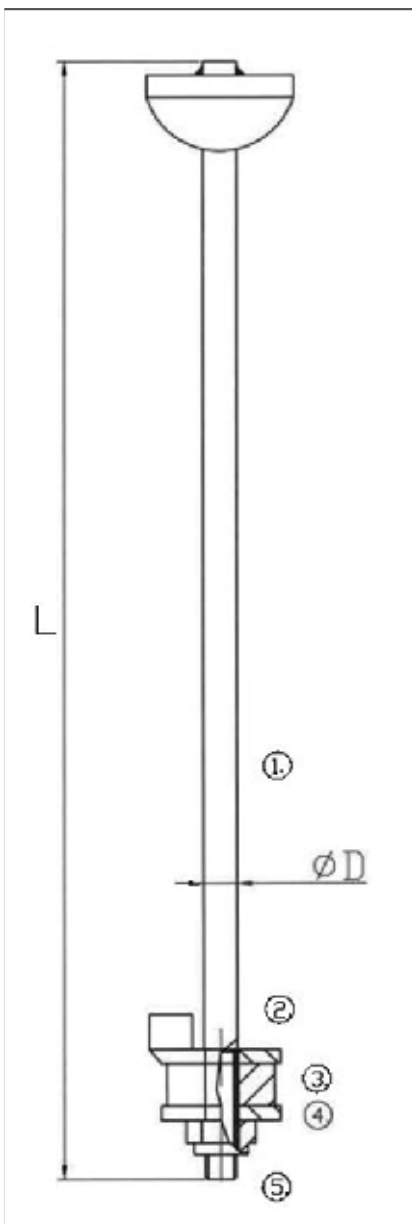
- Main possible Diameters (\emptyset): M22 , M33



QUICK ACTING CLEAT ASSEMBLY, CONVEX TYPE

Assembly includes:

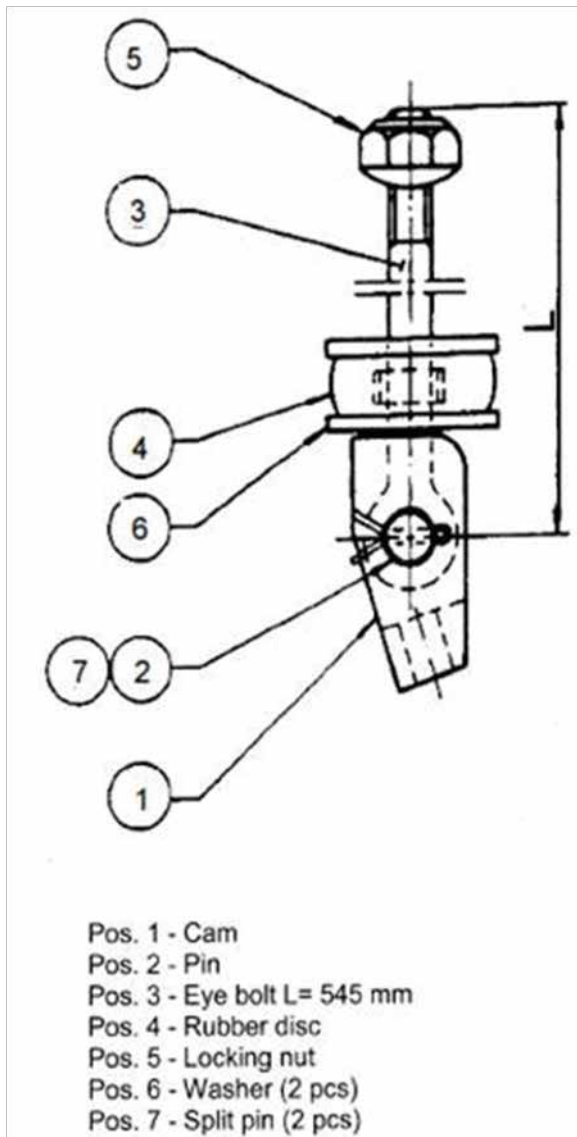
1. Cleating Bolt (L, D and Thread)
2. Round Washer
3. Rubber Washer
4. Steel Washer
5. Hex Nut



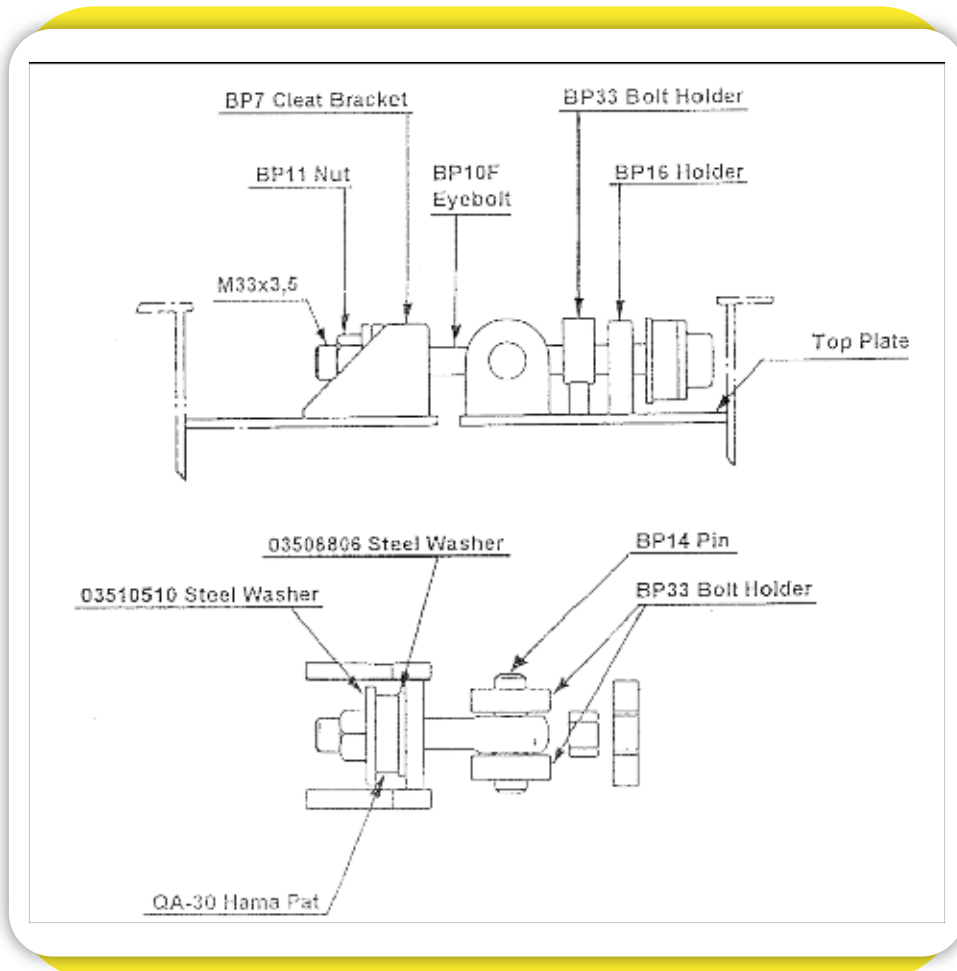
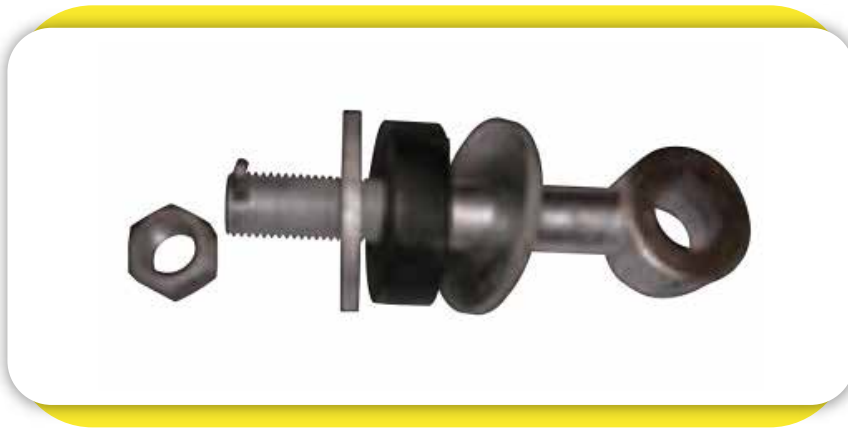
BATTENING BOLT ASSEMBLY

Thread Type under M24, M30, M33 and M39.

When ordering please specify : - Thread (M24, M30, M33, M39)
- Length (L)



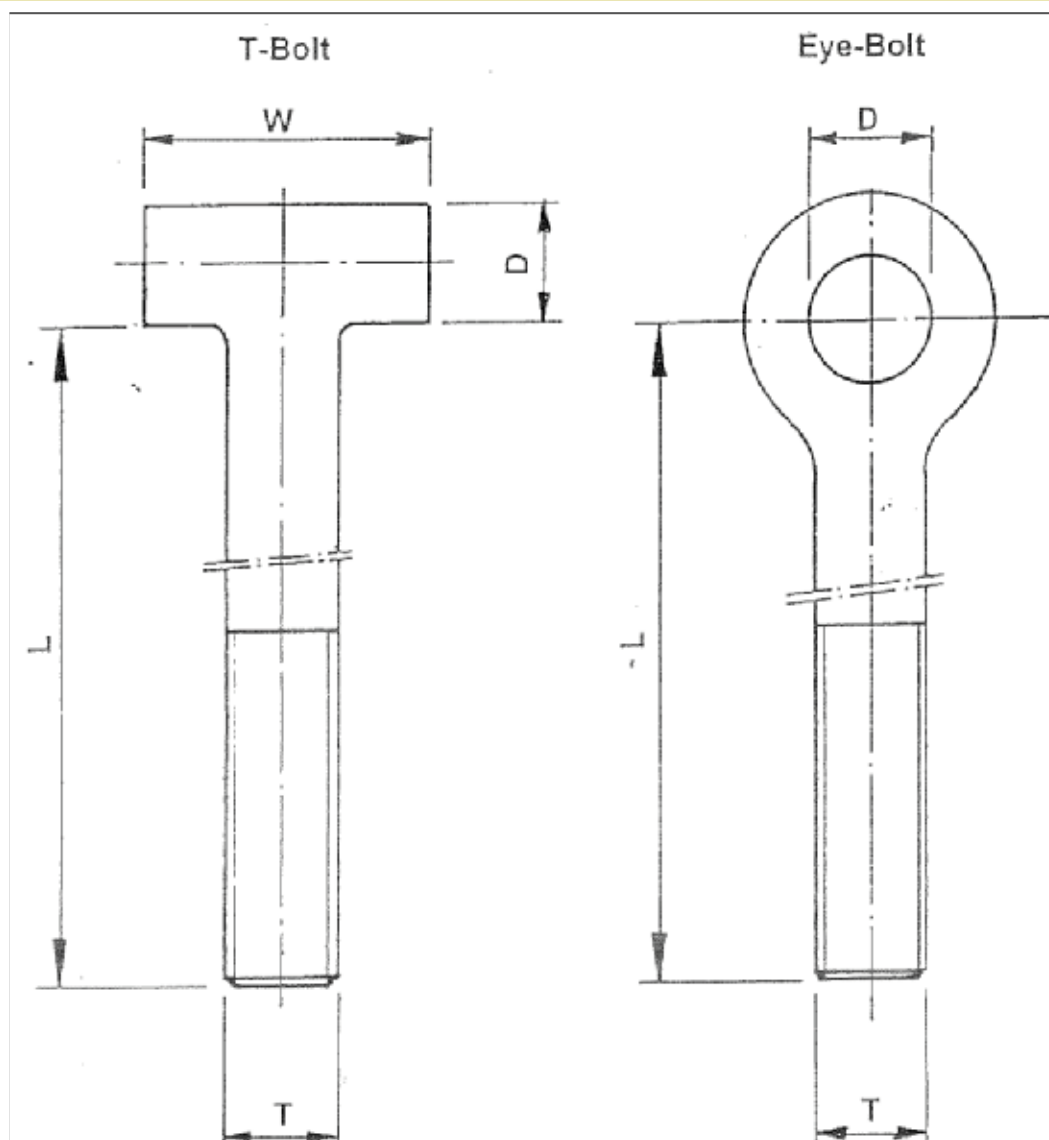
TOP CLEAT ASSEMBLIES



T BOLT CLEATS & EYE-BOLT CLEATS

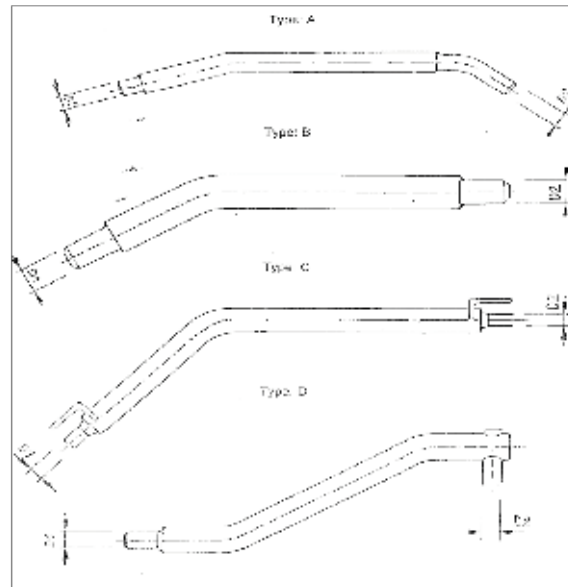
Several different types are available, when ordering please clarify:

- Type of the Bolt
- Length (L)
- Width (W)
- Diameter (D)
- Thread (T), e.g. M24 , M30 , M36 , M39

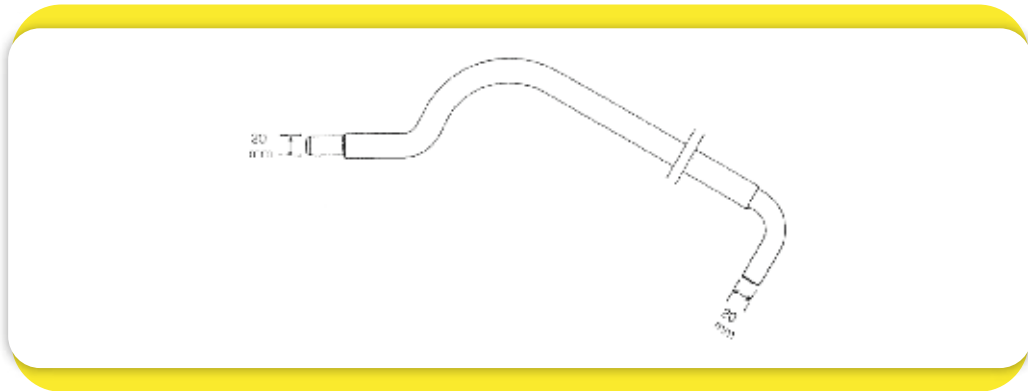


OPERATING LEVERS FOR CLEATS

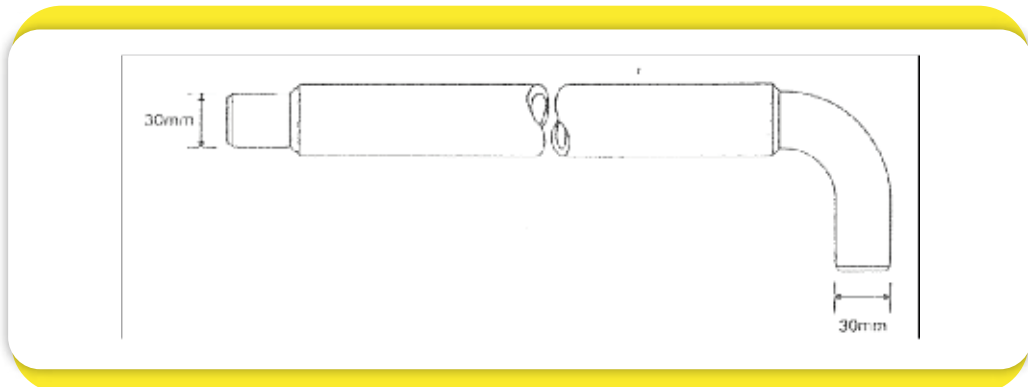
When ordering please clarify type of Lever and D1/ D2.



30.01.02 Lever for 22mm Quick Acting Cleats



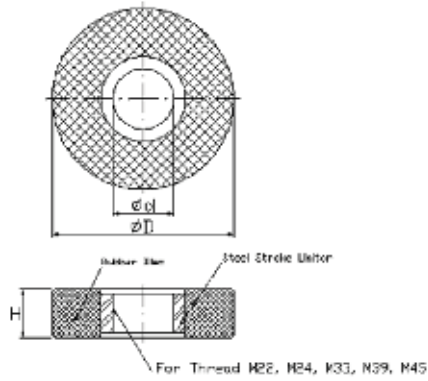
30.01.03 Lever for 33mm Heavy Duty Quick Acting Cleats



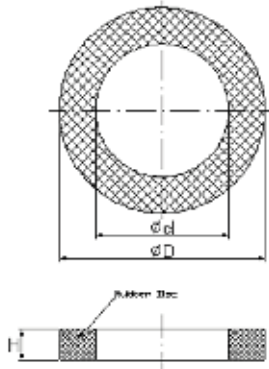
STEEL AND RUBBER WASHER SELECTION

We can provide a wide selection of washers in all sizes.

Rubber Washer With Steel Stroke Limitor



Rubber Washer Without Steel Stroke Limitor



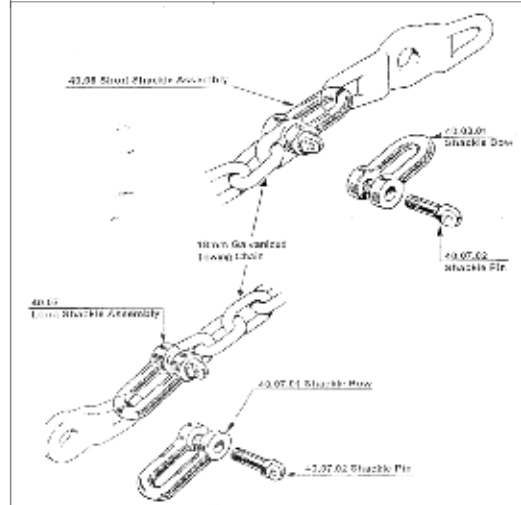
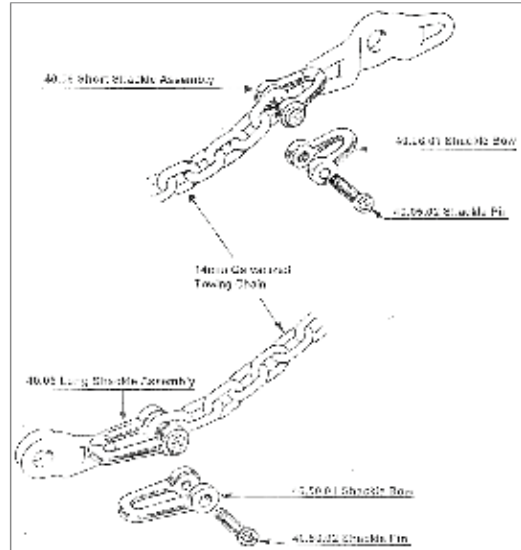
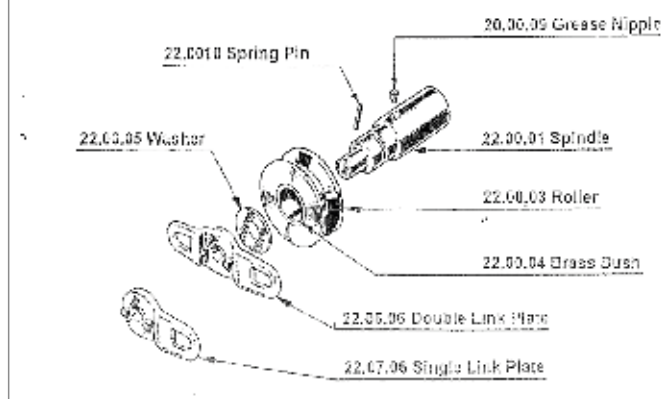
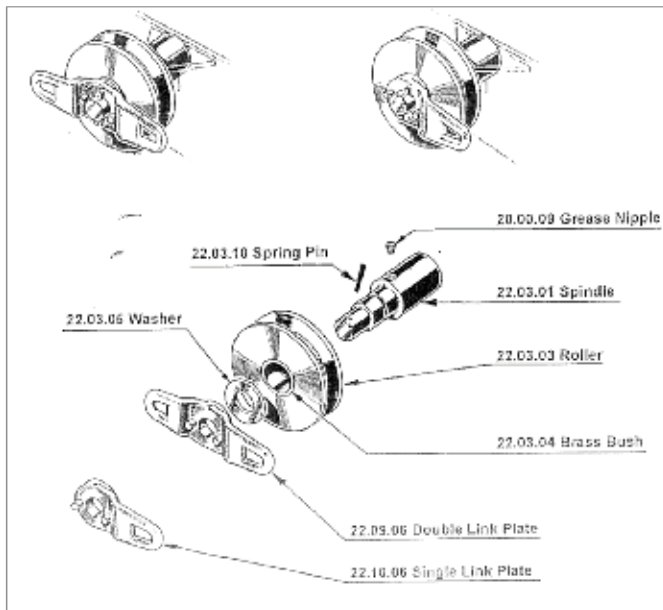
- Rubber Washers with or without inner metal



- Steel Washers for all purposes
- We can provide all other standard steel hardware for Bolts and Cleats

SINGLE - PULL HATCH COVER PARTS

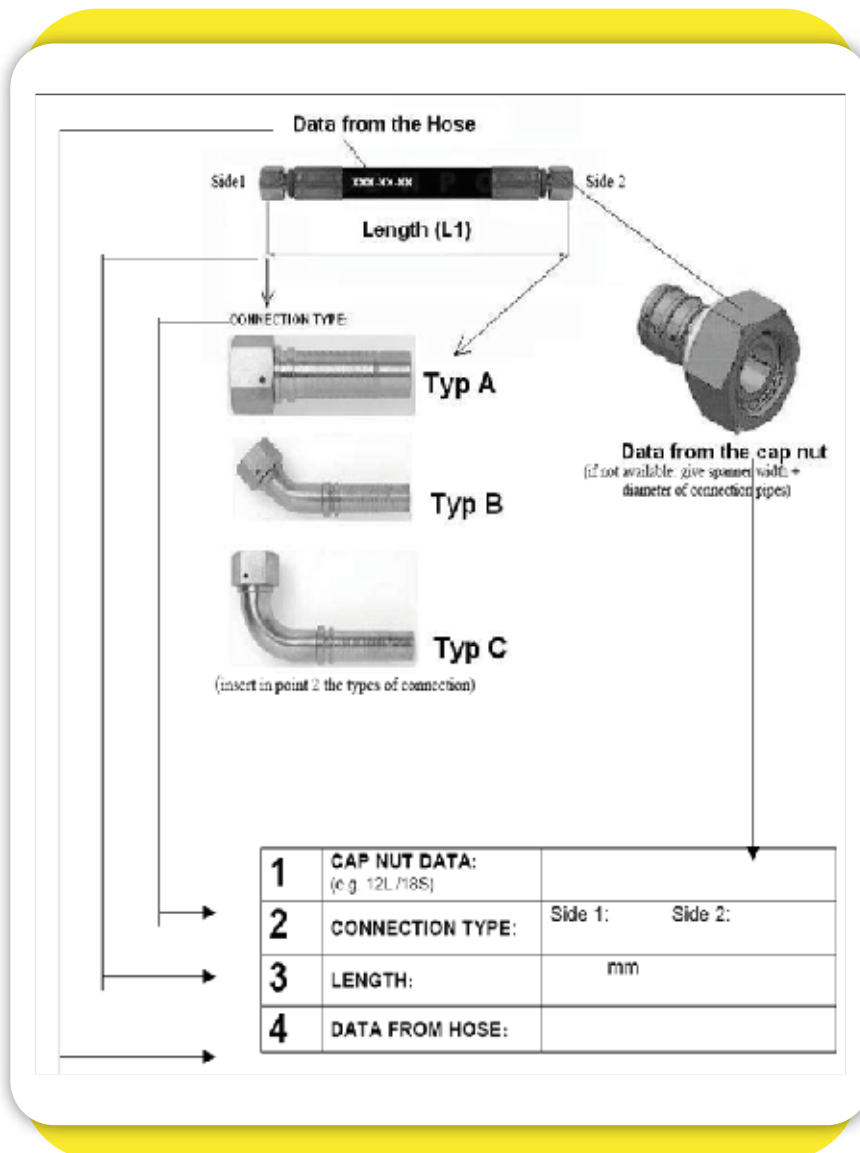
- 20.00 Eccentric Wheel Assembly, 200mm Dia
20.02 Eccentric Wheel Assembly, 260mm Dia
- 22.04 / 22.09 Balancing Roller, Double Link, 2.5 - 4 Tons / > 4 tons
22.05 / 22.10 Balancing Roller, Single Link, 2.5 - 4 Tons / > 4 tons
- 40.05 Long Shackle Assembly for Covers 2.5 - 4 Tons Weight
40.06 Long Shackle Assembly for Covers 2.5 - 4 Tons Weight
- 40.07 Long Shackle Assembly for Cover > 4 Tons
40.08 Long Shackle Assembly for Cover > 4 Tons



HYDRAULIC HOSES

For hydraulic hose order we need to know the following details about the hose couplings:

- Size of coupling (key size, thread size)
- Direction of coupling (Straight, 90° or Something else)
- Type of coupling (Male or Female)
- Working pressure (WP)
- Length to the hose
- Outer diameter of connecting pipe



Example of Order:

- Hydraulic Hose for hatch cover
- 1. Cap Nut: 25 S
- 2. Side1:Typ A Side2:Typ C
- 3. Length: e.g. 1200mm
- 4. Hose:PHD210x2000xAOL AFL08

HYDRAULIC COMPONENTS

Quick Couplings and Pipe Clamps & Pressure Gauges



Hydraulic Motors & Hydraulic Pumps

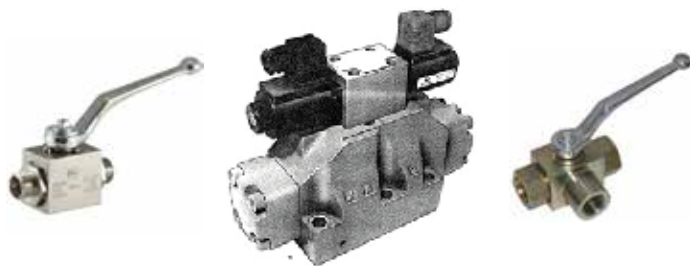


Filter Elements & Complete Filters



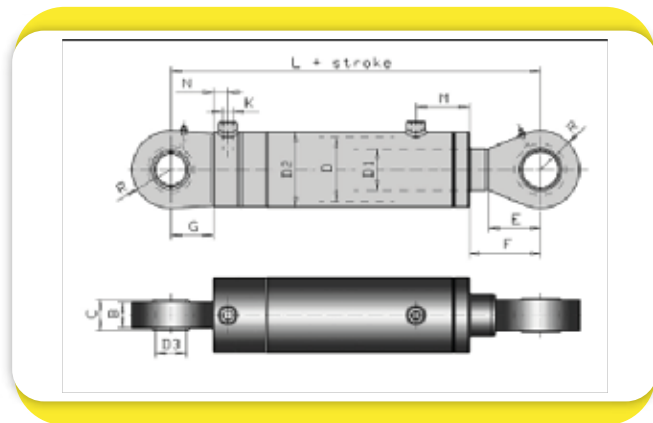
Valves

- Ball Valves
- Check Valves
- Directional Control Valves
- Drain Valves
- Flow Valves
- Hydraulic Control Valves
- Pressure Valves
- Stop Valves



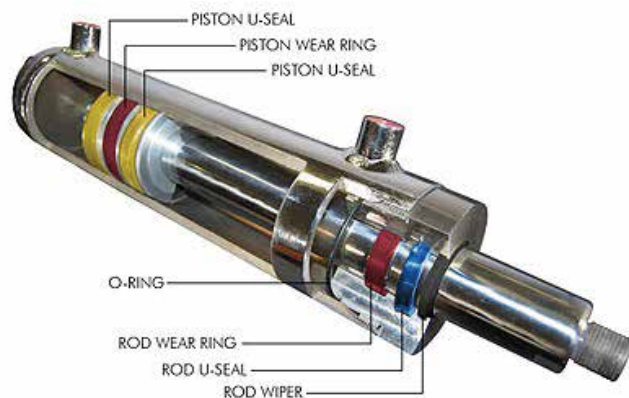
HYDRAULIC COMPONENTS

Marine Hydraulic Cylinders

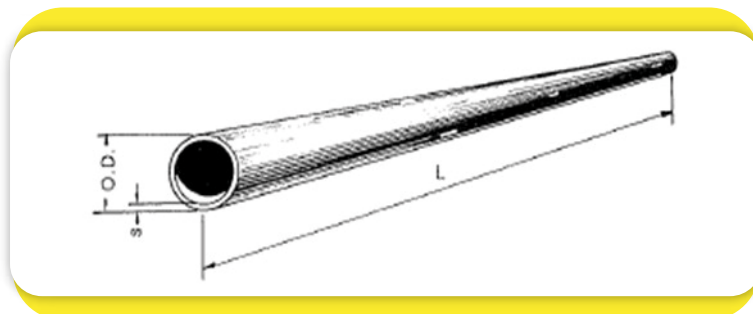


Seals for Hydraulic and Pneumatic Equipment

- Piston Seals
- Rod Seals
- Wiper Seals
- Back - up Rings
- Guide Rings
- O - Rings
- Pneumatic Seals
- Shaft Seals
- V - Seals

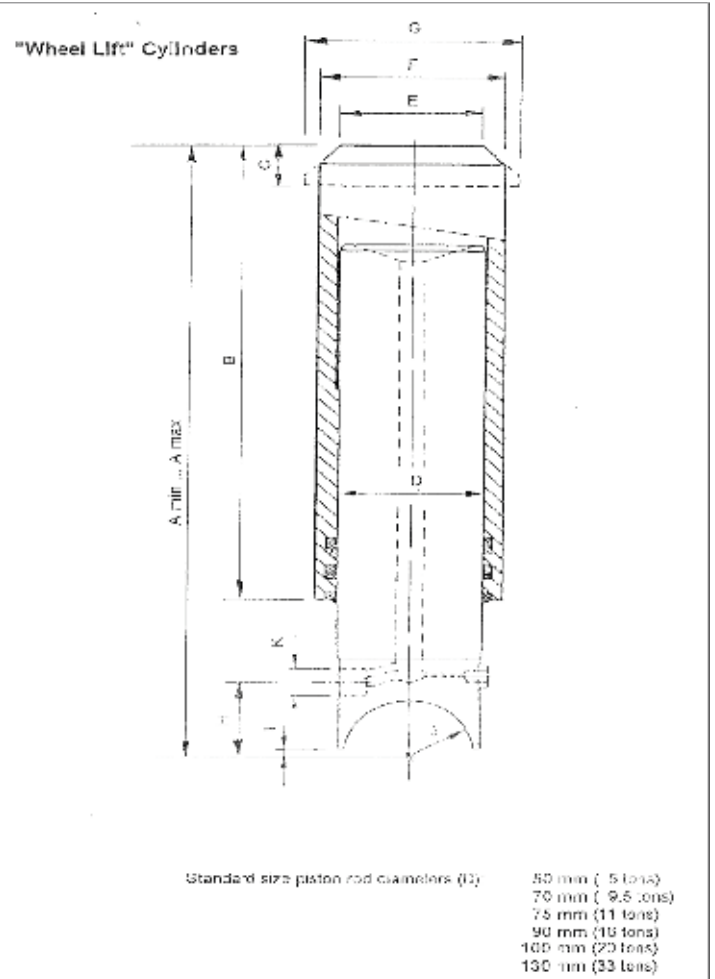
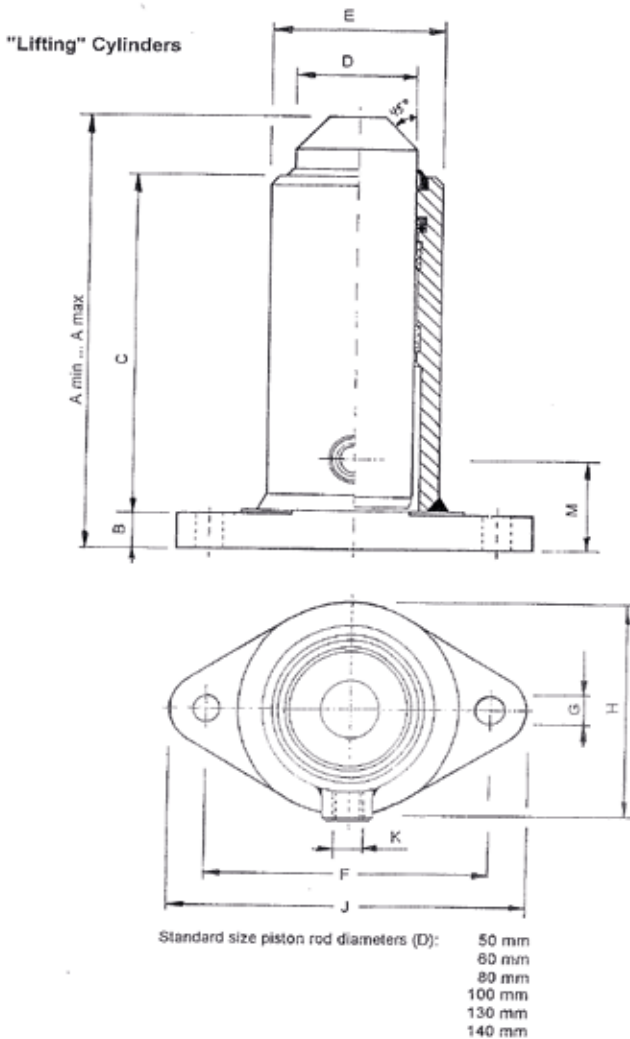


Hydraulic Pipes



- When ordering please clarify working pressure, outside diameter, inside diameter and material (Galvanized or Black)

SMALL HYDRAULIC CYLINDERS



DRAIN VALVES

Drain Valve - Type "A"

- P/N: DV/MG.01.01 DRAIN VALVE
- Material: Brass



Drain Valve - Type "B"

- R 1 ¼"
- P/N: 11018 DRAIN VALVE
- Material: Plastic

Drain Valve - Type "C"

- P/N: 12030 DRAIN VALVE
- Material: Plastic



Drain Valve - Type "D"

- R 1 ¼"
- Type "Kvaerner / TTS"
- Material: Plastic

Drain Valve - Type "R"

- R 1 ¼" + Adapter 1 ½"
- Type "Kvaerner / TTS"
- Material: Brass, Steel



PROBLEMS WITH VACU / PNEUMATIC SEALS

OMEGA, VACU and EVA Types

In order to solve the problems with above mentioned seals our engineers have developed new replacement seals for all types of Vacu / Pneumatic cross joint seals.

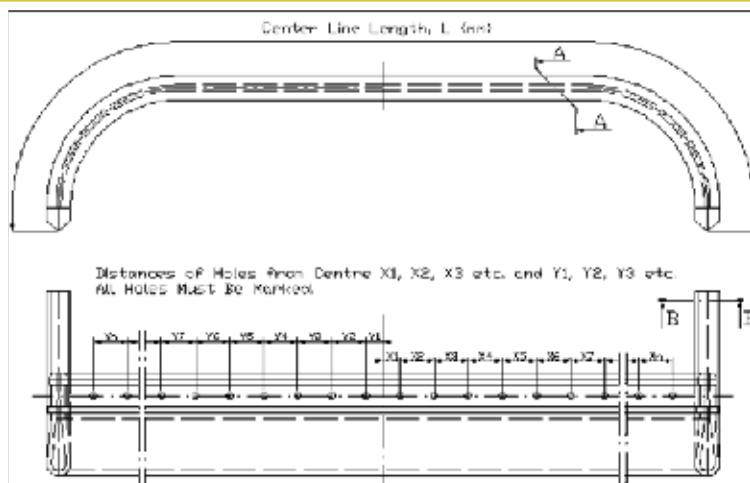


Damaged EVA - Seal Replaced by Gemlas Sliding Seal.

Advantages

Sliding type - No vacuum/pneumatic function needed. Can be fitted to existing steel channels, no steel work necessary. Repairs can be carried out by ships crew. All types approved by Russian Lloyd. More than 100 vessels have been equipped with new seals.

Gemlas Low Friction Sliding Seal Replacing Omega Seal



Omega Seal Modification with Low Friction Sliding Seal

Please Return Following Measurements:
 - Center Line Length, L (mm)
 - Distances of Holes from Centre X1, X2, X3 etc. and Y1, Y2, Y3 etc.
 All Holes Must Be Marked.

CHAINS

Hatch Cover Driving / Towing Chains, Connectors and Chain Wheels

- Different standard sizes / grades are available
- Coating: Galvanized or Black with Tectyl

| d x e | h | kg/m |
|---------|----|------|
| 14x50 | 17 | 3,9 |
| 16x42 | 20 | 5,9 |
| 18x64 | 21 | 8,5 |
| 19x57 | 23 | 8,3 |
| 19x54,5 | 22 | 7,5 |
| 20x80 | 23 | 7,7 |
| 22x66 | 26 | 9,4 |
| 24x87,5 | 28 | 11,5 |

Connecting Link Type: A

Connecting Link Type: B

Connecting Link Type: C

Connector

Shackle, Dee

Shackles, Bow

Gypsy Wheel, Double

Gypsy Wheel, Single

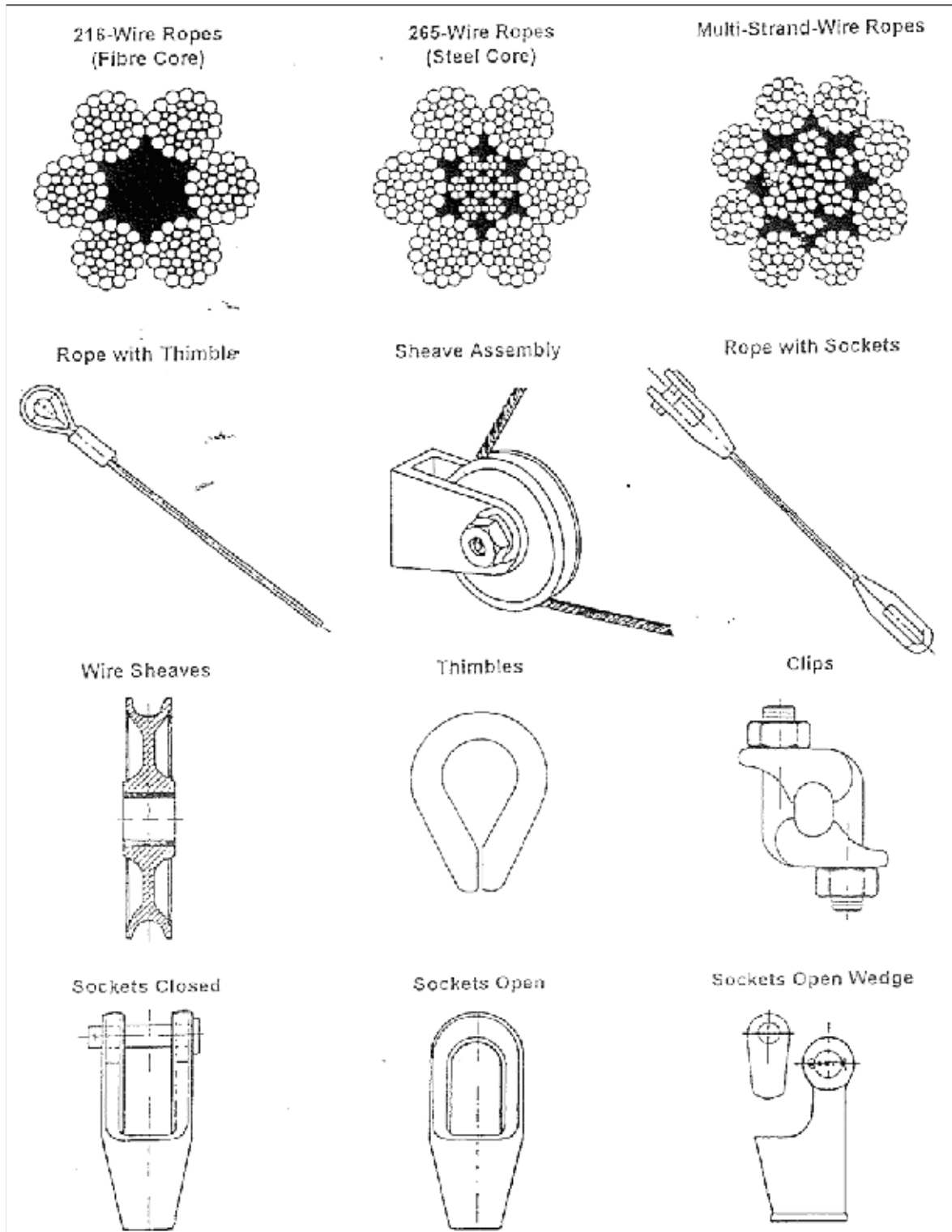
Turning Wheel

Tons ?

Quantity of Pockets ?

Quantity of Pockets ?

WIRE ROPES & ACCESSORIES



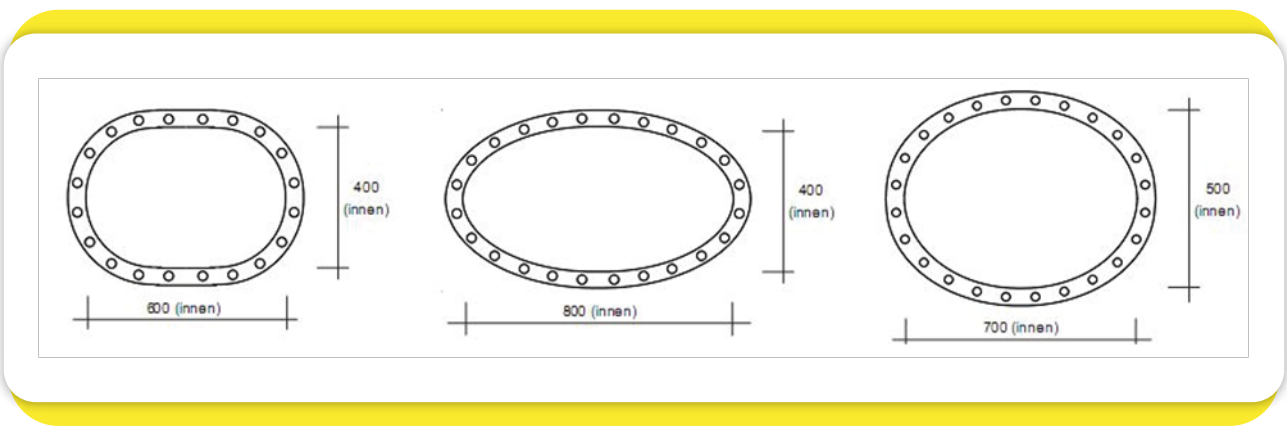
MISCELLANEOUS ACCESSORIES

Bolts, Handles and Nuts

For Small Hatches, Manholes and Doors



Manhole Seals



GLUE FOR RUBBER



Rubber to Steel

- Rubber Cement
- 3 ltr/can

Rubber to Rubber

- Rubber Cement - Rapid Glue
- For connecting rubber corners and end pieces
- 20g Bottle

Fire Secure Mastic Adhesive for Marine Use

- To join materials together, fill holes and seal
- Water Soluble
- 300 ml/Tube

Liquid Rubber Compound

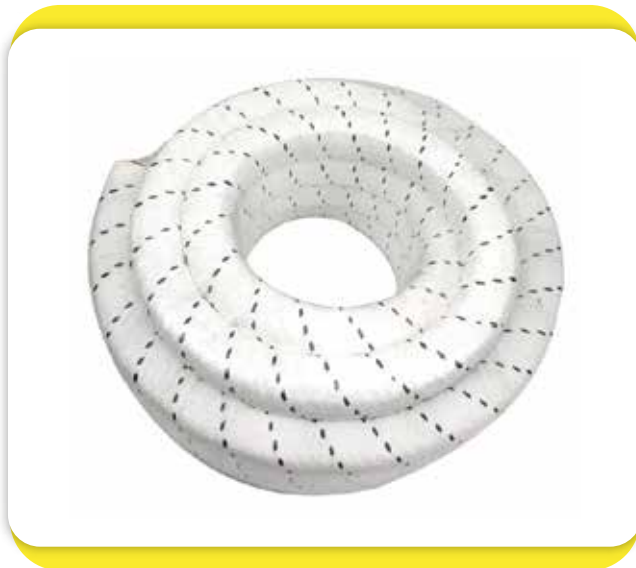
- 290 ml/Tube
- For gluing and filling gaps

TEFLON PACKING

PTFE Packing or Teflon Packing is braided with high purity PTFE (Polytetrafluoroethylene, Teflon) filament.



- PTFE material has a low friction and excellent resistance to chemicals.
- PTFE Braided Packing is resilient, chemical resistant, self-lubricating, and withstand high linear speed and pressure with minimum wearing to the shaft.



- PTFE Packing can be used as a valve and pump packing material.
- It is especially good for corrosive media, high speed application, or applications that require clean and minimum contamination material.

Head Office

Soğanlık Yeni Mah, Pamukkale Sk. No:2
Kartal/İstanbul/Türkiye
P : +90 (216) 591 08 49
F : +90 (216) 591 08 45
technical@avsglobalsupply.com

Branch Office

Güzelyalı Mah.Sahil Bulvarı, Yakut Sok.No:3/1
Pendik/İstanbul/Türkiye
P : +90 (216) 591 08 49
F : +90 (216) 591 08 45

Greece Office

37, Anagyrountos Ave. Vari 16672
Athens, Greece
P : +30 211 016 80 80
info@avsgreece.gr
www.avsgreece.gr